

Overview

TruVision™ LCD monitors from GE Security represent a cost-effective CCTV solution designed for years of trouble-free operation and clear, reliable viewing.

Available in 15-inch, 17-inch and 19-inch models, these high-quality monitors come equipped with 2D comb filters for optimum picture quality particularly when capturing motion video. A 500:1 contrast ratio delivers sharp, clear images and a panel lamp life of up to 50,000 hours offers a long-lasting, effective monitor to meet a full range of video surveillance needs.

Standard Features

TruVision LCD 17" and TruVision LCD 19"

- Comb filter (2D) improves video with motion
- Multi-language On Screen Display (OSD) in 7 languages
- 2/6 ms of fast response time
- Up to 50,000 hours of long panel lamp life
- 500:1 high contrast ratio for darker blacks and whiter whites
- Multiple inputs including 1 x BNC In/Out, 1 x S-video In/Out, VGA input
- S-video input/output for improved video compared to composite

TruVision™ Line

LCD Monitors

(15", 17" and 19")

TruVision LCD 15"

- Comb filter (2D) improves video with motion
- Multi-language On Screen Display (OSD) in 7 languages
- 5/11 ms of fast response time
- 30,000 hours of long panel lamp life
- 500:1 high contrast ratio for darker blacks and whiter whites
- Multiple inputs including 1 x BNC In/Out, 1 x S-video In/Out, VGA input
- S-video input/output for improved video compared to composite



North America
T (503) 885-5700
T 888-GE-SECURITY
888-437-3287

Asia
T 852-2907-8108
F 852-2142-5063

Australia
T 61-3-9239-1200
F 61-3-9239-1299

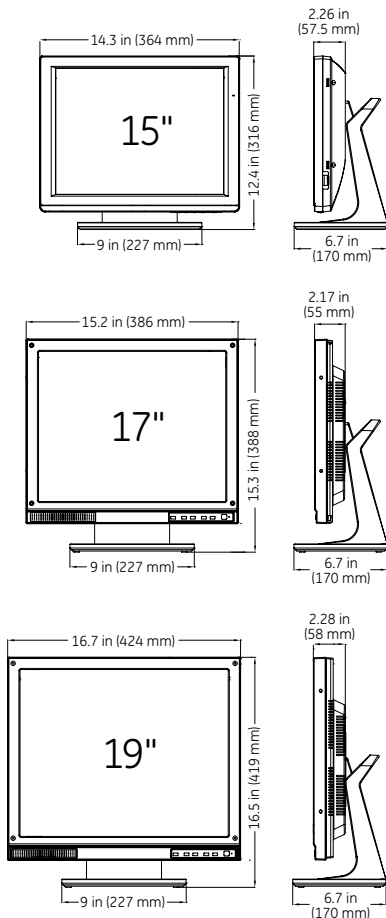
Europe
T 32-2-725-11-20
F 32-2-721-40-47

Latin America
T 305-593-4301
F 305-593-4300

gesecurity.com

Specifications subject to change without notice.

© 2009 General Electric Company
All Rights Reserved



Specifications

	TruVision LCD 19"	TruVision LCD 17"	TruVision LCD 15"
Screen Size	19"	17"	15"
Viewing Area	14.8" x 11.9" (376 x 301 mm)	13.3" x 10.6" (337 x 270 mm)	12.0" x 9.0" (304 x 228 mm)
Pixel Type	Active Matrix TFT	Active Matrix TFT	Active Matrix TFT
Max. Resolution	1280 x 1024 @ 60Hz (SVGA)	1280 x 1024 @ 60Hz (SVGA)	1024 x 768 @ 60Hz (XGA)
Pixel Pitch	0.294 mm x 0.294 mm	0.264 mm x 0.264 mm	0.297 mm x 0.297 mm
Brightness	300 cd/m ²	300 cd/m ²	250 cd/m ²
Contrast Ratio	500:1	500:1	500:1
Aspect Ratio	5:4	5:4	5:4
Viewing Angle(H/V)	150°/ 130°	150°/ 130°	140°/ 125°
Display Color	16.2 Million	16.2 Million	16.2 Million
Response Time (Tr/Tf)	2/6 ms	2/6 ms	5/11 ms
Video System	NTSC / PAL	NTSC / PAL	NTSC / PAL
Frequency(H)	31.5 ~ 80 KHz (H)	31.5 ~ 80 KHz (H)	31.5 ~ 80 KHz (H)
Frequency(V)	56 ~ 75Hz (V)	56 ~ 75Hz (V)	56 ~ 75Hz (V)
Panel Lamp Life	50,000 hours	40,000 hours	30,000 hours
Video In / Out (BNC type)	1 / 1	1 / 1	1 / 1
S-Video In / Out	1 / 1	1 / 1	1 / 1
VGA in (15Pin D-sub)	1	1	1
Multi-lingual Language	English, Chinese, French, German, Spanish, Italian, Japanese.	English, Chinese, French, German, Spanish, Italian, Japanese.	English, Chinese, French, German, Spanish, Italian, Japanese.
VESA™ Standard Compatible	Yes	Yes	Yes
Dimensions (with stand)	16.7" (W) x 16.5" (H) x 6.7" (D) (424 x 419 x 170 mm)	15.2" (W) x 15.3" (H) x 6.7" (D) (386 x 388 x 170 mm)	14.3" (W) x 12.4" (H) x 6.7" (D) (364 x 316 x 170 mm)
Net Weight	13.4 lb. (6.1 kg)	11.5 lb. (5.2 kg)	8.8 lb. (4 kg)
Gross Weight	18.5 lb. (8.4 kg)	15.9 lb. (7.2 kg)	13.2 lb. (6 kg)
Finish / Stand	Silver / Yes	Silver / Yes	Silver / Yes
VESA™ Mount size	100 x 100 mm (BS M4 x 10 mm Screw) 75 x 75 mm	100 x 100 mm (BS M4 x 10 mm Screw) 75 x 75 mm	100 x 100 mm (BS M4 x 10 mm Screw)
Regulatory	CE, UL, FCC, CCC, BSMI	CE, UL, FCC, CCC, BSMI	CE, UL, FCC, CCC, BSMI
On / Stand-by	50W / 0.5W	40W / 0.5W	30W / 0.5W
Electrical Ratings	AC100 - 240V,50/60Hz DC12V adapter (Auto Switching)	AC100 - 240V,50/60Hz DC12V adapter (Auto Switching)	AC100 - 240V,50/60Hz DC12V adapter (Auto Switching)

Ordering Information

GEL-15DV	TruVision™ LCD 15" Monitor, 1024 x 768, BNC, VGA, S-Video
GEL-17DV	TruVision™ LCD 17" Monitor, 1280 x 1024, BNC, VGA, S-Video
GEL-19DV	TruVision™ LCD 19" Monitor, 1280 x 1024, BNC, VGA, S-Video