



GE Security

466-2183 Rev B
June 2005

www.gesecurity.com

Part Numbers:

600-1021-95R

600-1022-95R

600-1040

600-1042

Concord 4 Series Security Systems

user guide

Code Changes



<p>Activate a Panic Alarm Press center of button firmly and hold for at least 3 seconds.</p> <p> FIRE EMERGENCY POLICE</p> <p>Disarm to OFF/Cancel an Alarm Press 1 + CODE.</p> <p>Arm to STAY 1. Close all doors and windows. 2. Press 2 + CODE. 3. If staying, also press 4 (NO DELAY) to make delay doors instant.</p>	<table border="1"> <tr> <td>Off</td> <td>Stay</td> <td>Away</td> </tr> <tr> <td> 1</td> <td> 2</td> <td> 3</td> </tr> <tr> <td>No Delay</td> <td>Silent</td> <td></td> </tr> <tr> <td> 4</td> <td> 5</td> <td> 6</td> </tr> <tr> <td>Features</td> <td>System</td> <td>Menu</td> </tr> <tr> <td> 7</td> <td> 8</td> <td> 9</td> </tr> <tr> <td>Status</td> <td>Lights</td> <td>Bypass</td> </tr> <tr> <td> *</td> <td> 0</td> <td>#"/> #</td> </tr> </table>	Off	Stay	Away	1	2	3	No Delay	Silent		4	5	6	Features	System	Menu	7	8	9	Status	Lights	Bypass	*	0	#"/> #	<p>Arm to AWAY 1. Close all doors and windows. 2. Press 3 + CODE. 3. Exit through a delay door.</p> <p>Bypass Sensors 1. Arm system to STAY or AWAY. 2. Press 8 + CODE + Sensor Number.</p> <p>Turn CHIME On/Off 1. Disarm to OFF. 2. Press 7 + 1. Chime turns on/off.</p> <p>Turn All LIGHTS On/Off Press 0 + 0. Controlled lights turn on/off.</p>
Off	Stay	Away																								
1	2	3																								
No Delay	Silent																									
4	5	6																								
Features	System	Menu																								
7	8	9																								
Status	Lights	Bypass																								
*	0	#"/> #																								

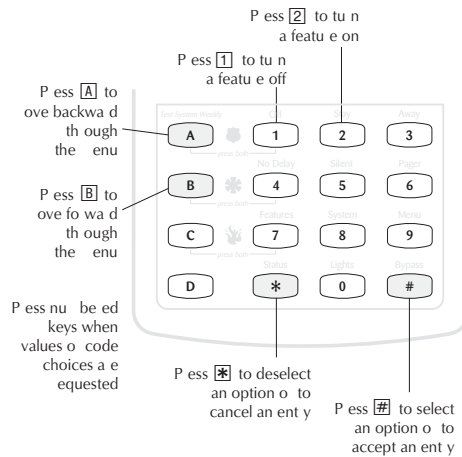


Figure 3. Navigating Through Menus

Examples of Programming Using Menus

Here are two examples of programming using system menus. The examples describe each step involved in programming a user code and in erasing a user code from a fixed display touchpad.

Note
The system will not accept the same code for two different users.

➤ **To change or assign a user access code:**

1. Enter the programming menus by pressing [9] + System Master Code.
2. Press [B] until the touchpad displays “USER CODES,” then press [#].
3. Press [B] until the touchpad displays the type of code you wish to change (Regular User codes or System Master code), then press [#].
4. For example, if you want to change a Regular User code, press [#] when the touchpad displays “REG CODES.”
5. Press [B] until the touchpad displays the user code you wish to change, then press [#].
For example, if you want to change Regular User code 2, press [#] when the touchpad displays “REG CODE 02.”
6. Enter the new code and press [#].
7. Press [*] + [B] to move to the next user code, or [*] + [4] + [#] to exit programming menus.

➤ **To erase a user code:**

1. Enter the programming menus by pressing [9] + System Master Code.
2. Press [B] until the touchpad displays “USER CODES,” then press [#].
3. The touchpad displays “REG CODES.” Press [#].
4. Press [B] until the touchpad displays the user code you wish to erase, then press [#].
For example, if you want to change User code 4, press [#] when the touchpad displays “REG CODE 04,” or “USER 04.”
5. Enter the System Master code you used in Step 1 and press [#]. The deleted code appears as “REG 04 ----”.
6. Press [*] + [B] to move to the next user code, or [*] + [4] + [#] to exit the programming menus.

Note
You cannot delete the System Master Code.